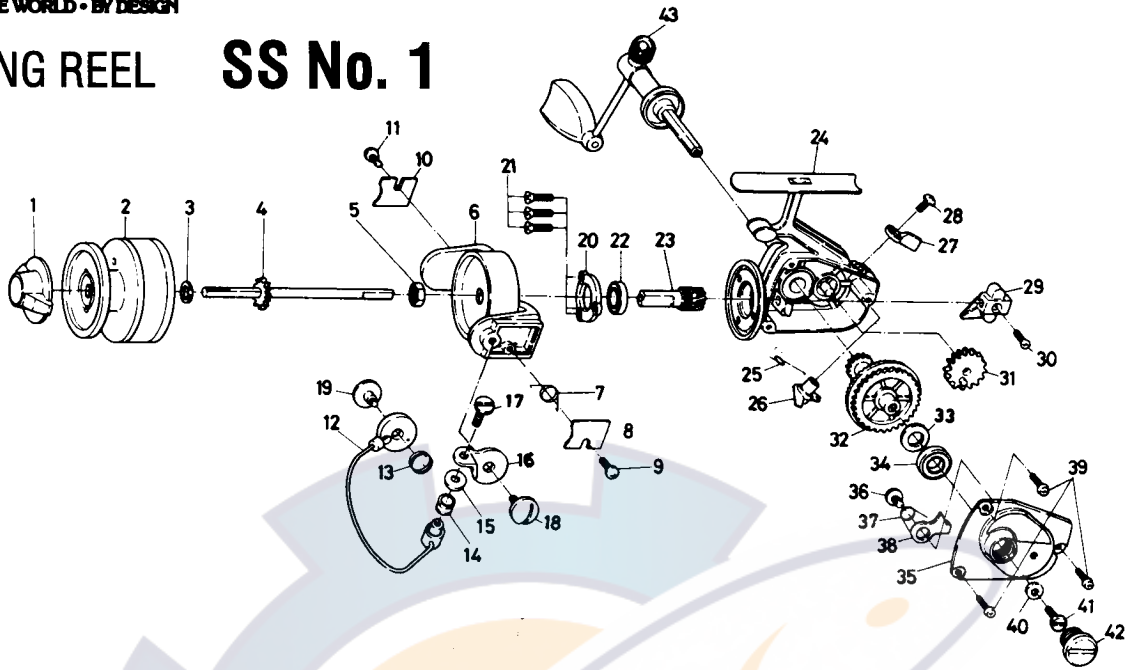


SPINNING REEL

SS No. 1



LINE CAPACITY: 160 YDS. 6 LB. TEST (145m. 2.7kg)

Key No.	Parts No.	Parts Name	Price Per Piece	Key No.	Parts No.	Parts Name	Price Per Piece
1	6-740-2301	Drag knob	\$1.70	23	6-402-2201	Pinion gear	\$1.35
2	6-731-0003	Spool assembly	7.85	24	6-700-4702	Body	5.75
3	6-372-3501	Spool washer	.10	25	6-142-2801	Anti-reverse cam spring	.15
4	6-710-7801	Main shaft	.95	26	6-460-6821	Anti-reverse cam	.25
5	6-341-9201	Rotor nut	.20	27	6-540-3711	Anti-reverse lever	.30
6	6-735-4401	Rotor	3.25	28	6-350-1931	Anti-reverse lever screw	.10
7	6-143-9501	Arm lever spring	.15	29	6-481-0501	Oscillating slider	.25
8	6-040-5001	Bail spring cover	.15	30	6-351-0311	Oscillating slider screw	.10
9	6-351-1801	Cover screw	.10	31	6-413-0101	Oscillating gear	.35
10	6-040-5001	Bail spring cover	.15	32	6-413-0201	Drive gear	1.35
11	6-351-1801	Cover screw	.10	33	6-370-5150	Drive gear washer	.10
12	6-725-4701	Bail	2.05	34	6-634-1301	Ball bearing	3.00
13	6-143-9401	Bail spring	.15	35	6-705-7702	Body cover	2.70
14	6-250-3901	Line roller	.40	36	6-351-7701	Anti-reverse claw screw	.10
15	6-501-1401	Roller collar	.25	37	6-143-9601	Anti-reverse claw spring	.10
16	6-231-1501	Arm lever	.45	38	6-111-3401	Anti-reverse claw	.20
17	6-353-1801	Bail screw	.20	39	6-351-1001	Body cover screw	.10
18	6-363-2201	Arm lever screw	.55	40	6-372-4601	Handle washer	.10
19	6-363-2201	Bail holder screw	.55	41	6-362-1001	Handle screw	.25
20	6-634-1701	Bearing holder	.60	42	6-363-2301	Handle cover screw	.55
21	6-351-5311	Bearing holding screw	.10	43	6-745-8601	Handle	3.80
22	6-634-1301	Ball bearing	3.00				